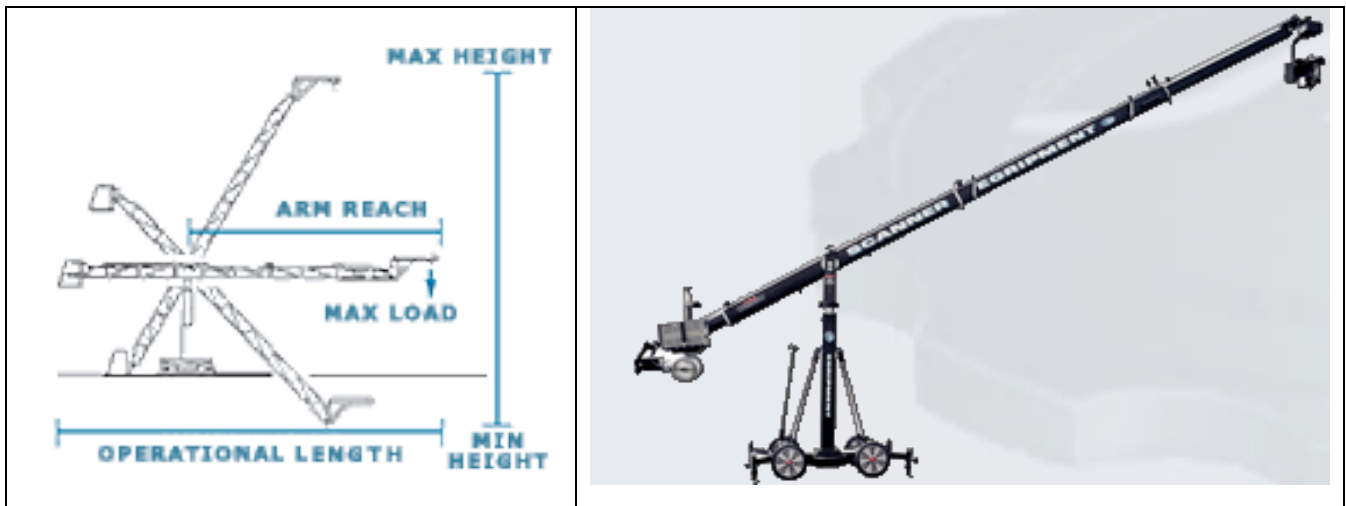


Scanner

The Scanner is not only a crane arm. It consists of a complete remote controlled camera system, including the Scanner Arm, the Scanner Remote controlled camera head and the Scanner Dolly. The arm is a super lightweight telescopic arm with adjustable lengths ranging from 375 cm (12.5 ft) to 525 cm (17.5 ft.) The parallel bars are positioned on the sides of the arm which improves the sleek shape of the crane. At the end of the arm you will find the Scanner Head on which you can attach most video cameras and a medium sized ENG type of lens. The camera functions such as start/stop/power/zoom and focus will be sent through the integrated sliprings in the head, to the back of the Scanner Arm, where you can operate both the crane and the camera with a single operator. By using the optionally supplied table support, you can split the camera and crane operation so that you use separate operators for the crane and remote head/camera functions. The Scanner Arm and Scanner Head are mounted on the extremely stable Scanner Dolly.



Scanner Specifications

| | |
|----------------------------|------------------------------|
| Type: | Remote |
| Arm reach: | 395-525 cm / 13,0-17,2 ft |
| Operational length: | 450-700 cm / 14,8-23,0 ft |
| Maximum height: | 580 cm / 19,0 ft |
| Minimum height: | -240 cm / -7,9 ft |
| Maximum load: | 25 kg / 55,1 lbs |
| Type dolly: | Scanner dolly |
| Dolly length: | 100 cm / 3,3 ft |
| Dolly width: | 75 cm / 2,5 ft |
| Dolly height: | 145 cm / 4,8 ft |
| Dolly weight: | 35 kg / 77,2 lbs |
| Type of wheels: | Hardrubber/ Pneumatic/ Track |

Scanner Elite Head

The Scanner ELITE Head has all of the features which have become the Trademark of Egripment Remote Heads. It is strong, Responsive, Easy to use, and has an incredible Smoothness of Movement. These features include functions such as Speed adjustments for Pan, Tilt and Zoom, Reverse switches for Pan, Tilt, Zoom and Focus, adjustable Electronic Dampening System (EDS) to ensure a smooth start and stop, choice of Triax, Tally sensor, Lens selector switch, Power supply via ECU and Multi cable system for Intercom, return video, tally rocker (3rd axe) or camera power. We offer you a choice to operate the Scanner ELITE head from the back of the Elite Arm or from a separate Table support. Between the controls for Pan, Tilt, Zoom and Focus you will find the Electronic Control Unit of the head, from which the operator can easily control and adjust all of the functions of the ELITE head.

Scanner Elite Head Specifications

| | |
|-----------------------|--------------------------|
| Type: | remote |
| Maximum load : | 15 kg / 33,1 lbs |
| Width: | 15 cm / 0,5 ft |
| Height: | 63 cm / 2,1 ft |
| Depth: | 28 cm / 0,9 ft |
| Weight: | 8,5 kg / 18,7 lbs |
| Minimal speed: | 360° in 17 min |
| Maximum speed: | 360° in 4 sec |

